

2010 Show Patterns Book
Saturday – July 31, 2010

Reining Ring #2

Judging begins at 9:00 am
Judge: Mary Beth Kuderna

2010 Reining Classes – AQHA Reining Patterns

Saturday – May 22, 2010:

- Novice Class
- Open Class
- Stakes Class

Pattern 5
Pattern 1
Pattern 8

Saturday – June 5, 2010:

- Novice Class
- Open Class
- Stakes Class

Pattern 7
Pattern 2
Pattern 3

Sunday – June 6, 2010:

- Novice Class
- Open Class
- Stakes Class

Pattern 4
Pattern 7
Pattern 6

Saturday – July 31, 2010:

- Novice Class
- Open Class
- Stakes Class

Pattern 9
Pattern 5
Pattern 10

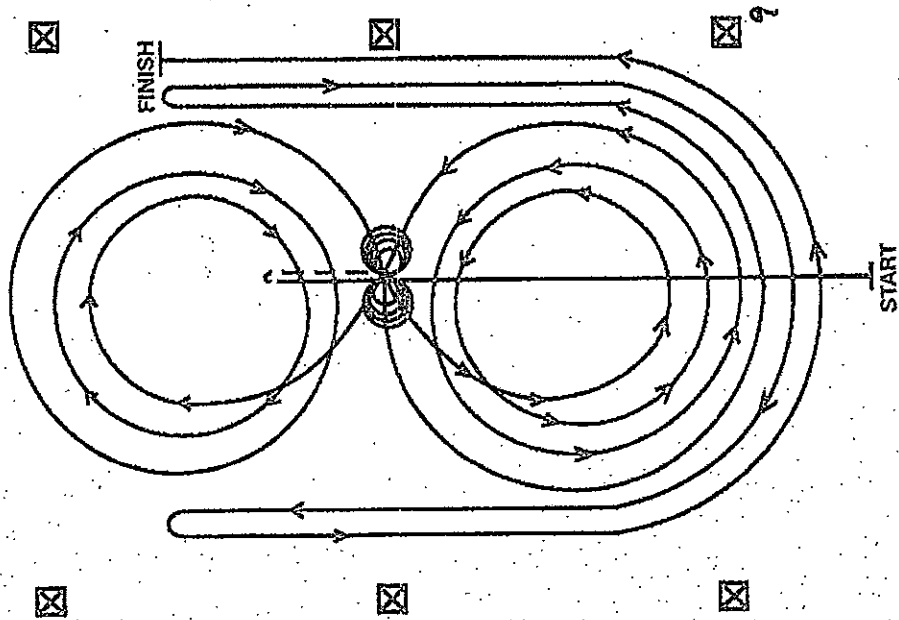


2010 Show Patterns Book
Saturday – July 31, 2010

Reining Ring #2
Judging begins at 9:00 am
Judge: Mary Beth Kuderna

Class #60: Novice Reiner

Reining Pattern Number 9



1. Run past the center marker and do a sliding stop. Back up to the center of the arena or at least ten feet (three meters). Hesitate.
2. Complete four spins to the right. Hesitate.
3. Complete four and one-quarter spins to the left so that horse is facing the left wall or fence. Hesitate.
4. Beginning on the left lead, complete three circles to the left: the first circle small and slow; the next two circles large and fast. Change leads at the center of the arena.
5. Complete three circles to the right: the first circle small and slow; the next two circles large and fast. Change leads at the center of the arena.
6. Begin a large fast circle to the left but do not close this circle. Run up the right side of the arena past the center marker and do a right rollback at least twenty feet (six meters) from the wall or fence – no hesitation.
7. Continue back around the previous circle but do not close this circle. Run up the left side of the arena past the center marker and do a left rollback at least twenty feet (six meters) from the wall or fence – no hesitation.
8. Continue back around previous circle but do not close this circle. Run up right side of the arena past the center marker and do a sliding stop at least twenty feet (six meters) from the wall or fence. Hesitate to demonstrate completion of the pattern.

Rider must dismount and drop bridle to the designated judge.



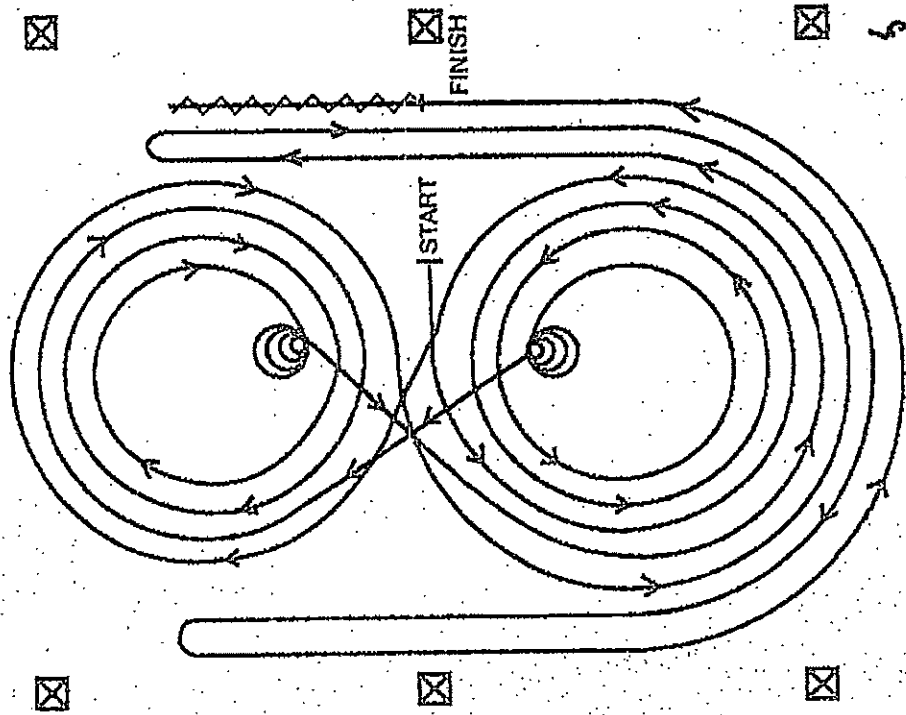
2010 Show Patterns Book
Saturday – July 31, 2010

Reining Ring #2
Judging begins at 9:00 am
Judge: Mary Beth Kuderna

Class #61: Open Reiner

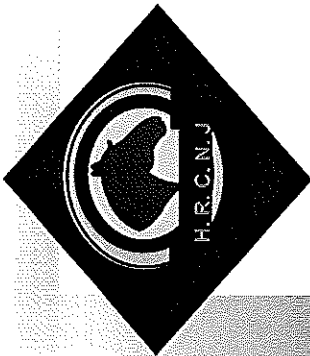
Classes held in Ring #2 - Judging begins at 9:00 am

Reining Pattern Number 5



Horse may walk or trot to the center of arena. Horses must walk or stop prior to starting pattern. Beginning at the center of the arena facing the left wall or fence.

1. Beginning on the left lead, complete three circles to the left: the first two circles large and fast; the third circle small and slow. Stop at the center of the arena. Hesitate.
2. Complete four spins to the left. Hesitate.
3. Beginning on the right lead, complete three circles to the right: the first two circles large and fast; the third circle small and slow. Stop at the center of the arena. Hesitate.
4. Complete four spins to the right. Hesitate.
5. Beginning on the left lead, run a large fast circle to the left, change leads at the center of the arena, run a large fast circle to the right, and change leads at the center of the arena. (Figure 8)
6. Continue around previous circle to the left but do not close this circle. Run up the right side of the arena past the center marker and do a right rollback at least twenty feet (six meters) from the wall or fence – no hesitation.
7. Continue around previous circle but do not close this circle. Run up the left side of the arena past the center marker and do a left rollback at least twenty feet (six meters) from the wall or fence – no hesitation.
8. Continue back around previous circle but do not close this circle. Run up the right side of the arena past the center marker and do a sliding stop at least twenty feet (six meters) from the wall or fence. Back up at least two ten feet (three meters). Hesitate to demonstrate completion of the pattern.
9. Rider must dismount and drop bridle to the designated judge.



2010 Show Patterns Book

Saturday – July 31, 2010

Class #62 Reining Stakes

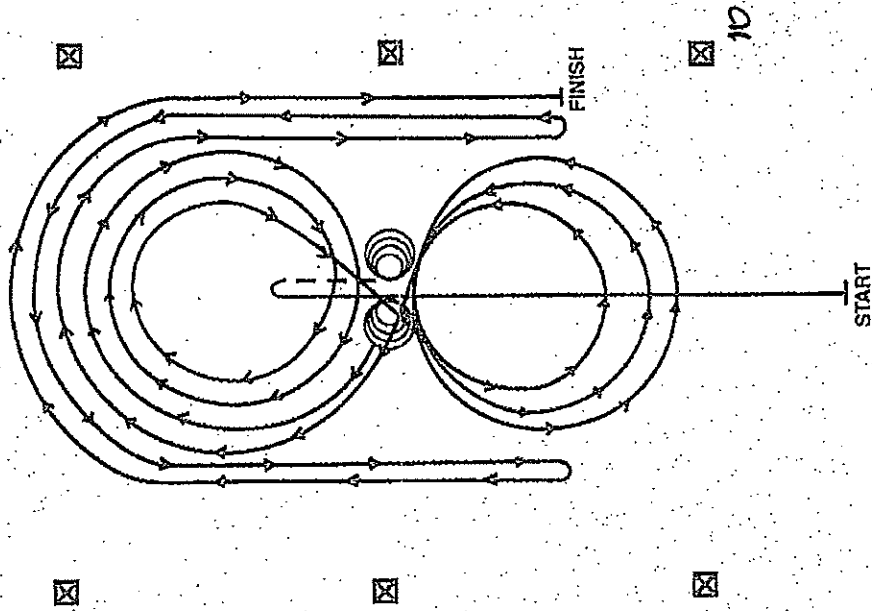
80% Payback Must enter class 28 or 29

Reining Ring #2

Judging begins at 9:00 am

Judge: Mary Beth Kuderna

Reining Pattern Number 10



1. Run past the center marker and do a sliding stop. Back up to the center of the arena or at least ten feet (three meters). Hesitate.
2. Complete four spins to the right. Hesitate.
3. Complete four and one-quarter spins to the left so that the horse is facing the left wall or fence. Hesitate.
4. Beginning on the right lead, complete three circles to the right: the first two circles large and fast, the third circle small and slow. Change leads at the center of the arena.
5. Complete three circles to the left: the first circle small and slow, the next two circles large and fast. Change leads at the center of the arena.
6. Begin a large fast circle to the right but do not close this circle. Run down the right side of the arena past the center marker and do a left rollback at least twenty feet (six meters) from the wall or fence – no hesitation.
7. Continue back around the previous circle but do not close this circle. Run down the left side of the arena past the center and do a right rollback at least twenty feet (six meters) from the wall or fence – no hesitation.
8. Continue back around previous circle but do not close this circle. Run down the right side of the arena past the center marker and do a sliding stop at least twenty feet (six meters) from the wall or fence. Hesitate to demonstrate completion of the pattern.

Rider must dismount and drop the bridle to the designated judge.