



2010 Show Patterns Book Saturday – June 5, 2010

Reining Ring #2

Judging begins at 9:00 am
Judge: Mary Beth Kuderna

2010 Reining Classes – AQHA Reining Patterns

Saturday – May 22, 2010:

- Novice Class
- Open Class
- Stakes Class

Pattern 5
Pattern 1
Pattern 8

Saturday – June 5, 2010:

- Novice Class
- Open Class
- Stakes Class

Pattern 7
Pattern 2
Pattern 3

Sunday – June 6, 2010:

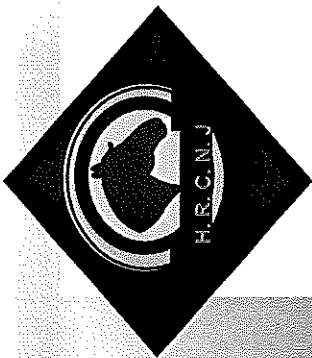
- Novice Class
- Open Class
- Stakes Class

Pattern 4
Pattern 7
Pattern 6

Saturday – July 31, 2010:

- Novice Class
- Open Class
- Stakes Class

Pattern 9
Pattern 5
Pattern 10



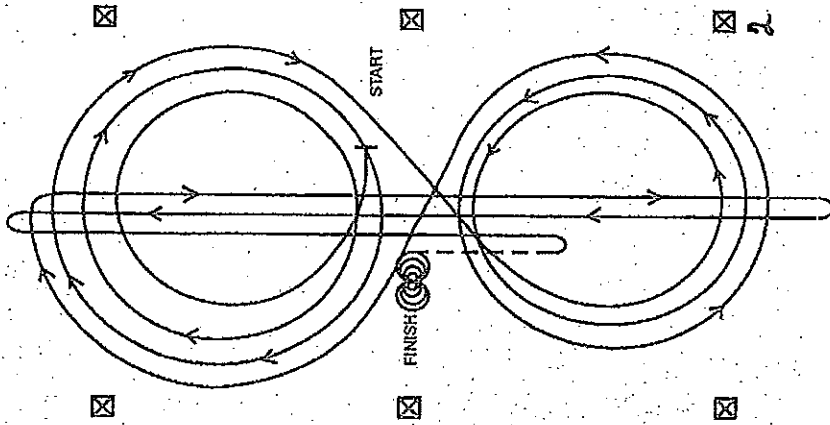
2010 Show Patterns Book
Saturday – June 5, 2010

Reining Ring #2
Judging begins at 9:00 am
Judge: Mary Beth Kuderna

Class #61: Open Reiner

Classes held in Ring #2 - Judging begins at 9:00 am

Reining Pattern Number 2



Horses may walk or trot to the center of arena. Horses must walk or stop prior to starting pattern. Beginning at the center of the arena facing the left wall or fence.

1. Beginning on the right lead, complete three circles to the right: the first circle small and slow; the next two circles large and fast. Change leads at the center of the arena.
2. Complete three circles to the left: the first circle small and slow; the next two circles large and fast. Change leads at the center of the arena.
3. Continue around previous circle to the right. At the top of the circle, run down the middle to the far end of the arena past the end marker and do a right rollback – no hesitation.
4. Run up the middle to the opposite end of the arena past the end marker and do a left rollback – no hesitation.
5. Run past the center marker and do a sliding stop. Back up the center of the arena or at least ten feet (three meters). Hesitate.
6. Complete four spins to the right. Hesitate.
7. Complete four spins to the left. Hesitate to demonstrate the completion of the pattern.

Rider must dismount and drop bridle to the designated judge.



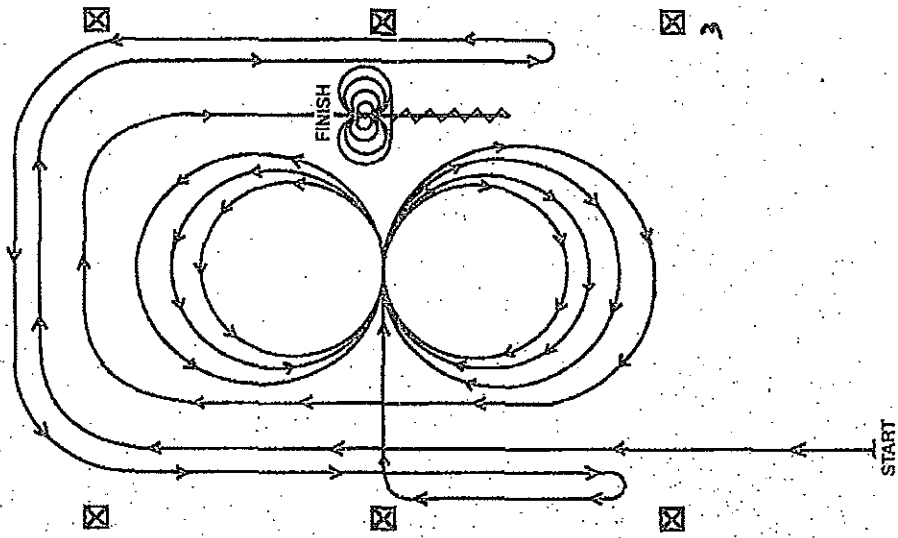
2010 Show Patterns Book
Saturday – June 5, 2010

Reining Ring #2
Judging begins at 9:00 am
Judge: Mary Beth Kuderna

Class #62 Reining Stakes

80% Payback Must enter class 28 or 29

Reining Pattern Number 3



1. Beginning, lope straight up the left side of the arena, circle the top end of the arena, and staying at least twenty feet (six meters) from the walls or fence, run straight down the opposite or right side of the arena past the center marker and do a left rollback - no hesitation.
2. Continue straight up the right side of the arena circle back around the top of the arena, and staying at least twenty feet (six meters) from the walls or fence, run straight down the left side of the arena past the center marker and do a right rollback -- no hesitation.
3. Continue up the left side of the arena to the center marker. AT the center marker, the horse should be on the right lead. Guide the horse to the center of the arena on the right lead and complete three circles to the right: the first two circles large and fast; the third circle small and slow. Change leads at the center of the arena.
4. Complete three circles to the left: the first two circles large and fast; the third circle small and slow. Change leads in the center of the arena.
5. Begin a large fast circle to the right but do not close this circle. Continue up the left side of the arena, circle the top of the arena, and staying at least twenty feet (six meters) from the walls or fence, run straight down the opposite or right side of the arena past the center marker and do a sliding stop. Back up at least ten feet. Hesitate.
6. Complete four spins to the right. Hesitate.
7. Complete four spins to the left. Hesitate to demonstrate completion of the pattern.

Rider must dismount and drop bridle to the designated judge.